

### DATA SHEET

Data Sheet number  
**13.23**

Revision number  
**v.2**

Revision date  
**15.07.2025**

Product code

as listed in the table

## TWISTED FITTINGS FOR CSM ULTRA HYGIENIC® HOSES



EXTERNAL THREAD



INTERNAL THREAD



MATERIAL

Stainless Steel

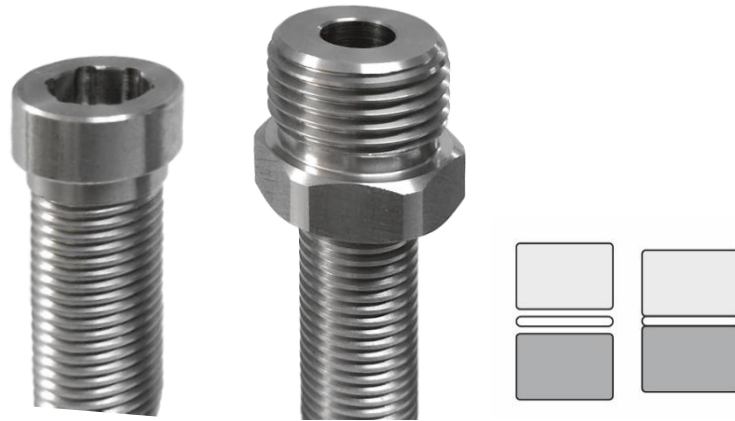
MAX PRESSURE

400 bar max

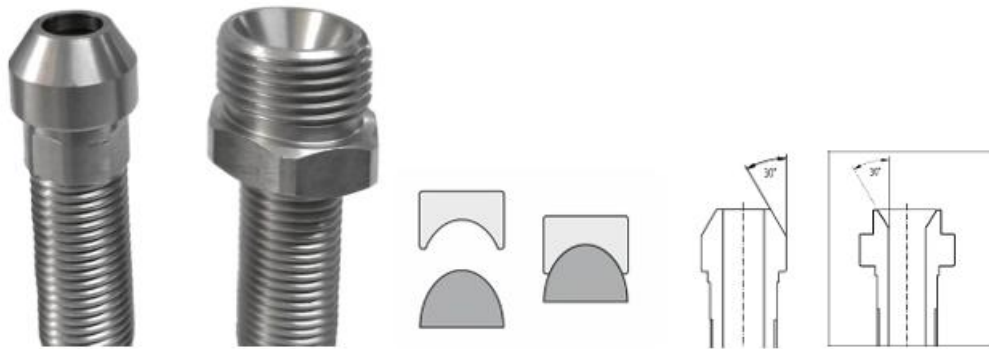
PRODUCT CODE	NAME/VERSION	THREAD	WEIGHT	NUMBER OF PIECES IN THE PACKAGE
03.05.01.01	TWISTED FITTING EXT THREAD ½"	EXT ½" FLAT	140 g	1 pc (foil)
03.05.01.06	TWISTED FITTING EXT THREAD ½"	EXT ½" CONICAL	136 g	1 pc (foil)
03.05.01.02	TWISTED FITTING INT THREAD ½"	EXT ½" FLAT	167 g	1 pc (foil)
03.05.01.05	TWISTED FITTING INT THREAD ½"	INT ½" CONICAL	177 g	1 pc (foil)
03.05.01.10	TWISTED FITTING WITH MALE QUICK COUPLING ½"	MALE QUICK COUPLING ½"	137 g	1 pc (foil)



### SEALINGS



FLAT SEALING — INT AND EXT THREAD



CONICAL SEALING — INT AND EXT THREAD

- Reusable products intended for self-assembly or service with ULTRA HYGIENIC® Hoses.
- Flat sealing with teflon seal does not require the use of glue, teflon tape, etc.
- It is recommended to use thread glue, which is available from CA offer for additional protection of self-loosening of the thread.
- Teflon seals are available in CA offer as a separate product.
- The twist fitting is dedicated to CSM ULTRA HYGIENIC® Hoses.
- Assembly instruction for twisted hose fitting is available.



# CLEANACCESS

## FOOD HYGIENE EQUIPMENT

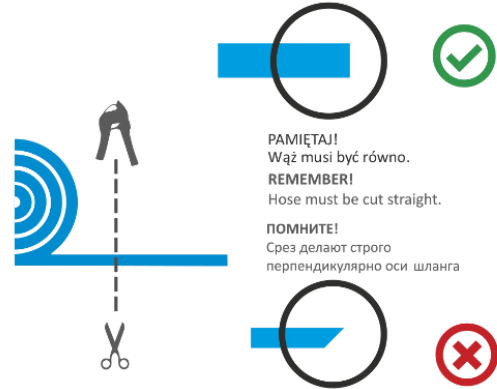


### ASSEMBLY INSTRUCTION FOR TWISTED FITTINGS

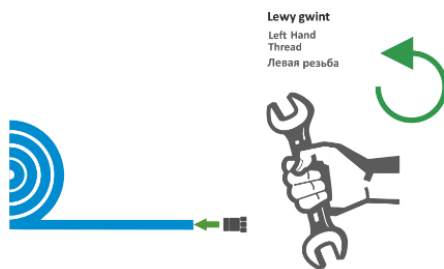
1.



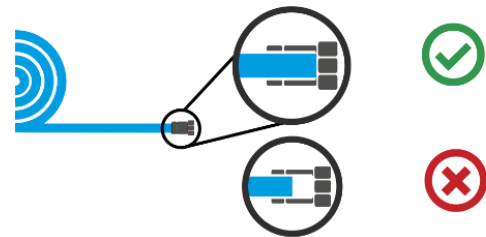
2.



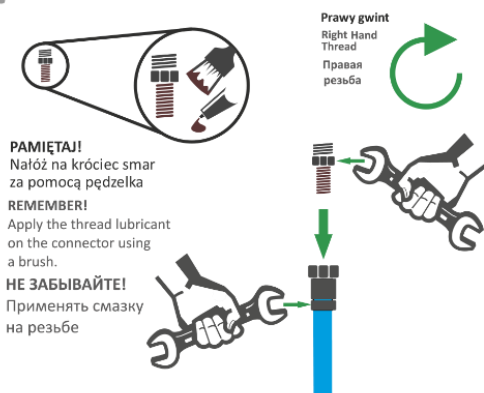
3.



4.



5.



6.

