



## DATA SHEET

Data Sheet number  
**14.23**

Revision number  
**v.2**

Revision date  
**15.07.2025**

Product code

as listed in the table

### LOW PRESSURE HOSE TWISTED FITTINGS



**EXTERNAL THREAD  
COUPLING**



**INTERNAL THREAD**



**MALE QUICK**



MATERIAL

Stainless Steel



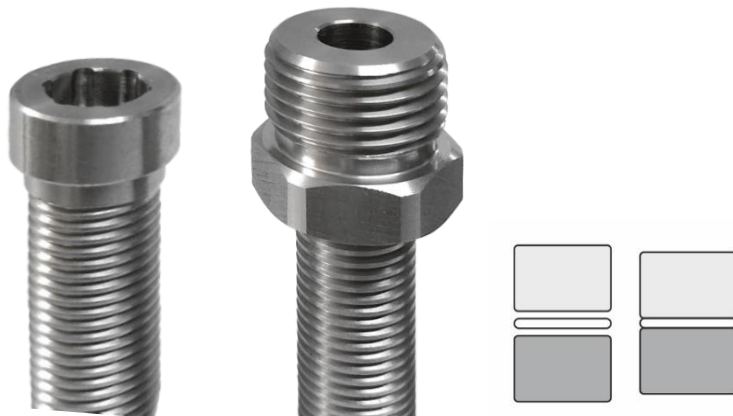
MAX PRESSURE

400 bar max

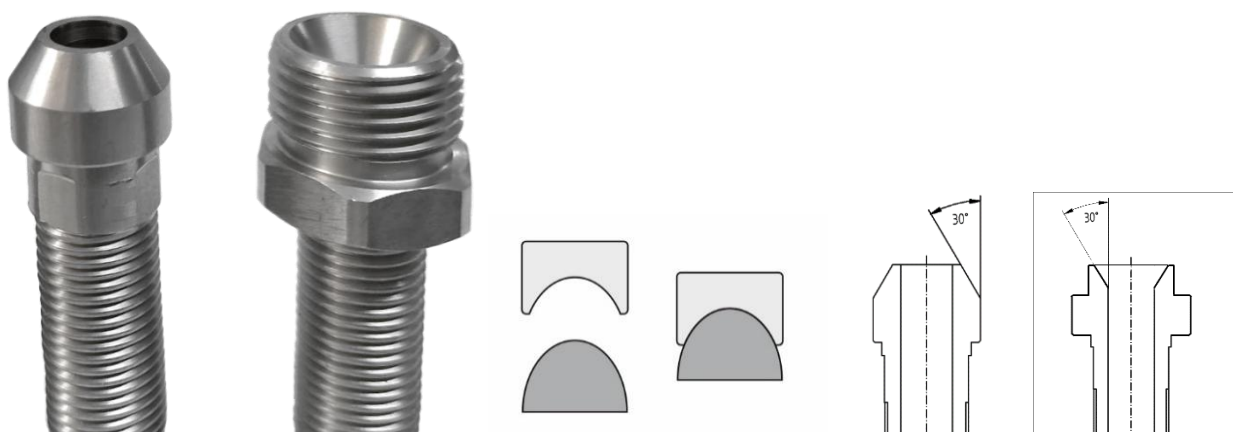
PRODUCT CODE	NAME/VERSION	THREAD	WEIGHT	NUMBER OF PIECES IN THE PACKAGE
03.05.02.01	Low pressure hose twisted fitting EXT thread 1/2"	EXT 1/2" FLAT	157 g	1 pc (foil)
03.05.02.06	Low pressure hose twisted fitting EXT thread 1/2" - cone sealing	EXT 1/2" CONICAL	153 g	1 pc (foil)
03.05.02.02	Low pressure hose twisted fitting INT thread 1/2"	EXT 1/2" FLAT	185 g	1 pc (foil)
03.05.02.05	Low pressure hose twisted fitting INT thread 1/2" - cone sealing	INT 1/2" CONICAL	194 g	1 pc (foil)
03.05.02.10	Low pressure hose twisted fitting 1/2" with male quick coupling	MALE QUICK COUPLING 1/2"	155 g	1 pc (foil)



### SEALINGS



FLAT SEALING — INT AND EXT THREAD



CONICAL SEALING — INT AND EXT THREAD

- Reusable products intended for self-assembly or service with ULTRA HYGIENIC® Hoses.
- Flat sealing with teflon seal does not require the use of glue, teflon tape, etc.
- It is recommended to use thread glue, which is available from CA offer for additional protection of self-loosening of the thread.
- Teflon seals are available in CA offer as a separate product.
- The twist fitting is dedicated to HYGIENIC ½" hose.
- Assembly instruction for twisted hose fitting is available.



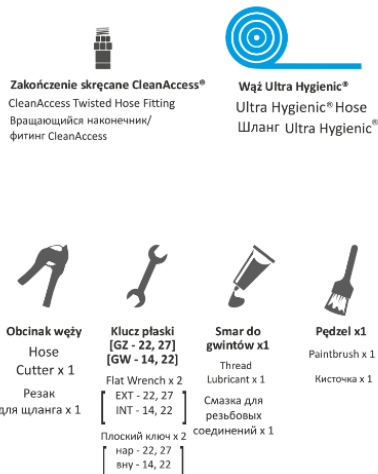
# CLEANACCESS

## FOOD HYGIENE EQUIPMENT



### ASSEMBLY INSTRUCTION FOR TWISTED HOSE FITTING

1.



**Zakończenie skręcane CleanAccess®**  
CleanAccess Twisted Hose Fitting  
Вращающийся наконечник/  
фитинг CleanAccess

**Wąż Ultra Hygienic®**  
Ultra Hygienic® Hose  
Шланг Ultra Hygienic®

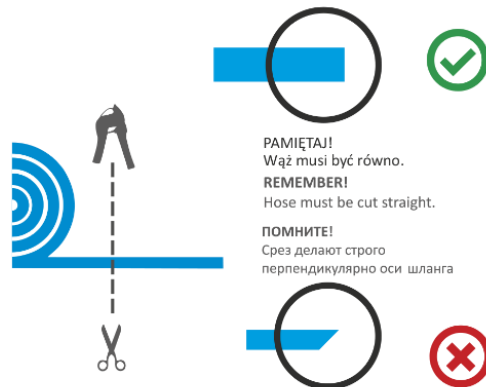
**Obcinak węży**  
Hose  
Cutter x 1  
Резак  
для шланга x 1

**Kłucz płaski**  
[GZ - 22, 27]  
[GW - 14, 22]  
Flat Wrench x 2  
[EXT - 22, 27]  
[INT - 14, 22]  
Плоский ключ x 2  
[нар - 22, 27]  
[вну - 14, 22]

**Smar do gwintów x1**  
Thread  
Lubricant x 1  
Смазка для  
резьбовых  
соединений x 1

**Pędzel x1**  
Paintbrush x 1  
Кисточка x 1

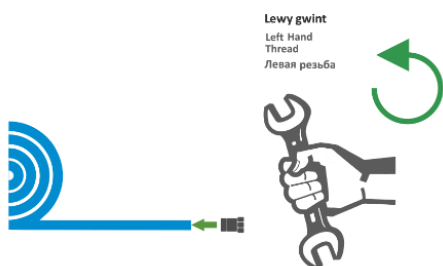
2.



**PAMIĘTAJ!**  
Wąż musi być równo.  
**REMEMBER!**  
Hose must be cut straight.

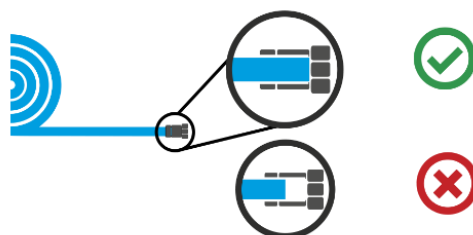
**ПОМНИТЕ!**  
Срез делают строго  
перпендикулярно оси шланга

3.

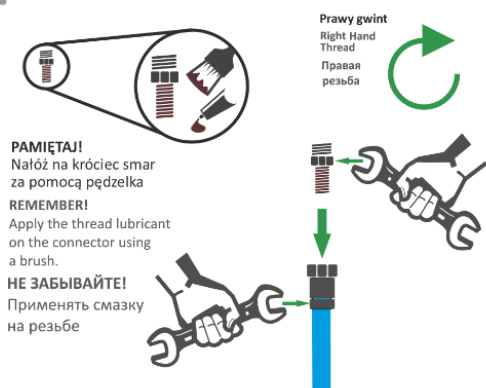


**Lewy gwint**  
Left Hand  
Thread  
Левая резьба

4.



5.



**PAMIĘTAJ!**  
Nałóż na króciec smaru  
za pomocą pędzelka  
**REMEMBER!**  
Apply the thread lubricant  
on the connector using  
a brush.  
**НЕ ЗАБЫВАЙТЕ!**  
Применять смазку  
на резьбе

**Prawy gwint**  
Right Hand  
Thread  
Правая  
резьба

6.

