



DATA SHEET

Data Sheet number
30.24

Revision number
v.2

Revision date
15.07.2025

Product code

20.10.05.01

Clean FOAM AUTOMATIC SATELLITE



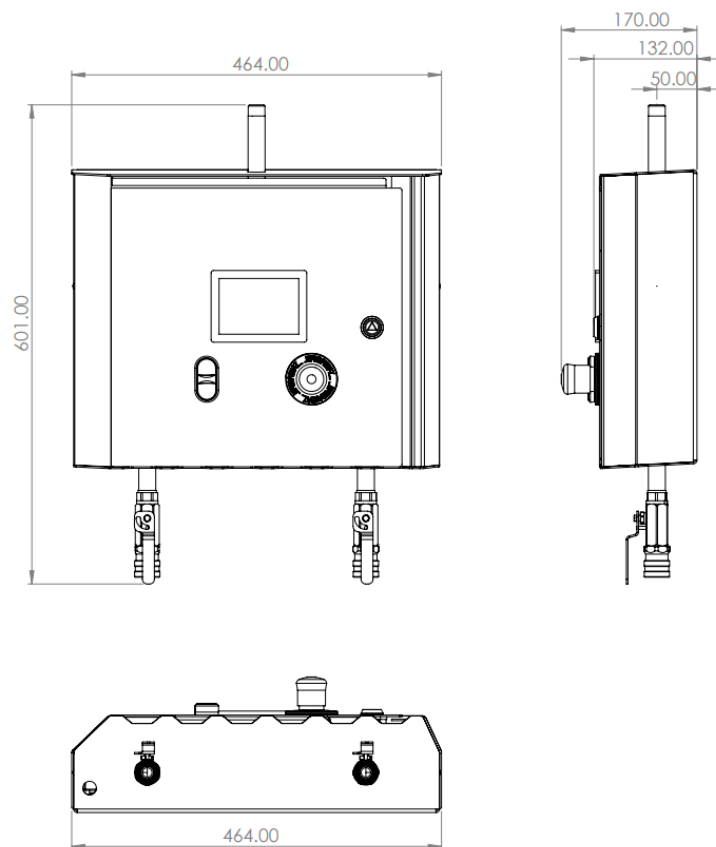
MATERIAL	Stainless Steel housing and connections
WEIGHT	15 kg
MAX. DIMENSIONS (WxHxD)	464 x 601 x 170 mm
MOUNTING HOLES DIAMETER AND SPACING (WxH)	Ø 7 mm; 320 x 270 mm
DOSING RANGE	0,3-8%
MAX WATER FLOW FEED	30 l/min
WATER INLET	EXT ½"
WATER OUTLET	Female quick coupling 1/2"
MAX. WATER PRESSURE	20 bar
AIR OUTLET	ø6 mm
MIN. AIR FLOW (FEED)	150 l/min
AIR PRESSURE (FEED)	5 - 8 bar
MAX. TEMPERATURE	70 °C
NOMINAL VOLTAGE	230 V
BASIC FREQUENCY	50/60 Hz
NUMBER OF PIECES IN THE PACKAGE	1

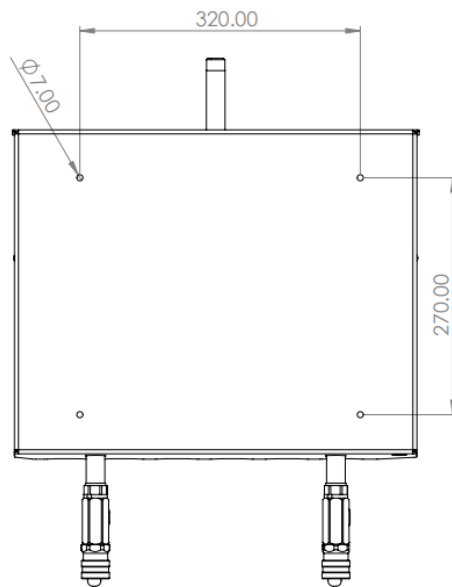


CLEAN **FOAM** **AUTOMATIC**

- Increased washing efficiency as a result of process automation.
- Possibility to automate washing processes, including smoking chambers, fillers, freezing tunnels, belt conveyors.
- Equipped with a PLC controller with the ability to configure various washing programs.
- Durable, safe and hygienic stainless steel housing.
- The sloping roof and the bottom of the satellite (15°) prevents accumulation of sediments.
- Possibility to archive washing processes and verify their correctness.
- Ability to measure, archive and report temperature, pressure, concentration of chemical agent and water consumption.
- Possibility of connecting an internet modem in order to remotely connect to the device (computer, phone, tablet)
- The bonding ties used as a permanent element for fastening cables and wires is detectable by a metal detectors or X-Ray devices.

TECHNICAL DRAWINGS WITH DIMENSIONS





MAINTENANCE

The housing is made of stainless steel. Its anti-corrosion properties depend on the conditions in which the steel is used and its maintenance. Stainless steel products should be cleaned, dried and maintained with products intended for this purpose. Particular attention should be paid to the regime of cleaning for products used in an environment of high salinity or humidity to prevent sediments accumulation.

REMEMBER! RINSE THE DEVICE WITH CLEAN WATER AFTER USE

The suction tube, which is used to transfer the chemical agent from the canister should be immersed in clean water and activate automatic injector rinsing until clean water is obtained at the exit of the lance.