



DATA SHEET

Data Sheet number
33.25

Revision number
v.1

Revision date
08.10.2025

Product code

20.10.03.02

SATELLITE Clean FOAM ULTRA 3



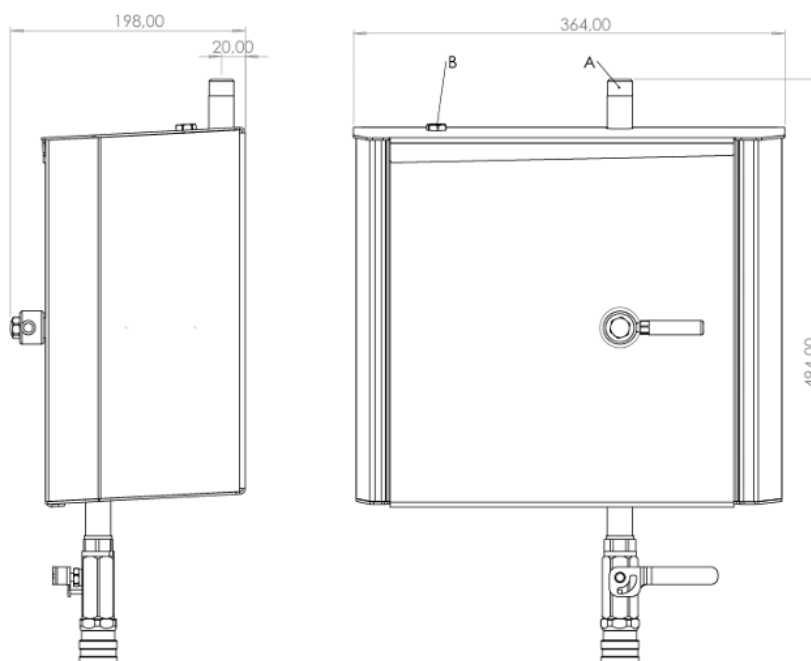
MATERIAL	Stainless Steel housing and connections
WEIGHT	6 kg
MAX. DIMENSIONS (WxHxD)	364 x 494 x 198 mm
MOUNTING HOLES DIAMETER AND SPACING (WxH)	Ø7 mm; 230 x 250 mm
DOSING RANGE (local injector)	0,3-8%
MIN. WATER FLOW FEED INLET (local injector)	30 l/min
WATER INLET	EXT 1/2"
DILUTED CHEMICAL INLET	EXT 1/2"
OUTLETS	Female quick coupling 1/2"
WATER PRESSURE	18-40 bar
AIR OUTLET	ø6 mm
MIN. AIR FLOW (FEED)	150 l/min
AIR PRESSURE (FEED)	5 - 8 bar
NUMBER OF PIECES IN THE PACKAGE	1

CLEAN **FOAM** ULTRA



- Can be installed in narrow spaces as no need to leave any space for service on the sides of the device.
- Satellite for three functions — rinsing and chemical 1/chemical 2/ chemical 3 (foaming/disinfection).
- There are 3 holes for hanging lances in the lower part of the housing.
- Laser marking available on request.
- Easy to use with a reliable manual control mechanism.
- Equipped with three injectors located in the central module.
- Protection of service elements against unauthorized access.
- Durable, safe and hygienic stainless steel housing.
- The sloping roof and the bottom of the satellite (15°) prevents accumulation of sediments.
- The back satellite wall has 4 mounting holes.
- Equipped with ULTRA HYGIENIC® stainless steel ball valve with female quick coupling.
- Chemical agent, water and air suction inlets are secured with stainless steel check valves.

DIMENSIONS



MAINTENANCE

The housing is made of stainless steel. Its anti-corrosion properties depend on the conditions in which the steel is used and its maintenance. Stainless steel products should be cleaned, dried and maintained with products intended for this purpose. Particular attention should be paid to the regime of cleaning for products used in an environment of high salinity or humidity to prevent sediments accumulation.