



DATA SHEET

Data Sheet
number
34.24

Revision number
v.2

Revision date
15.07.2025

Product code

20.30.01.00

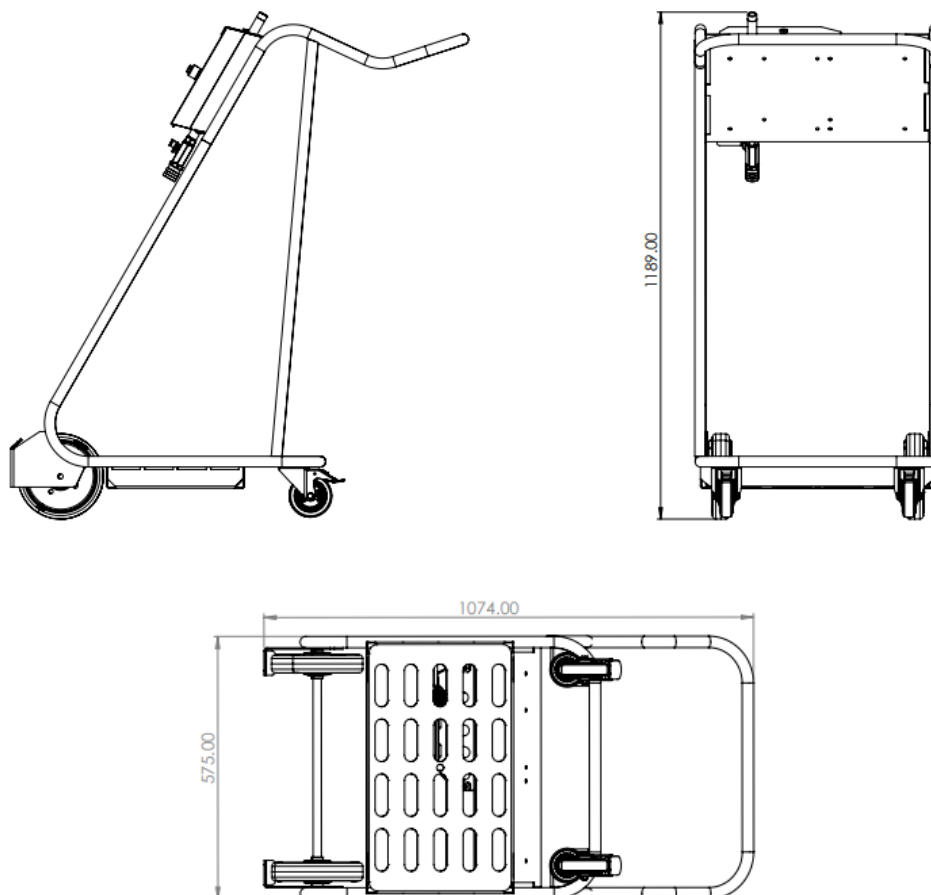
TROLLEY FOR A MOBILE CLEANING POINT — SMALL



MATERIAL	Stainless Steel
WEIGHT	18 kg
MAX. DIMENSIONS (WxHxD)	57,5 x 118,9 x 107,4 cm
MAX. LOAD	100 kg
PACKAGE DIMENSIONS (WxHxD)	-



TECHNICAL DRAWINGS WITH DIMENSIONS



- Solid and durable construction from stainless steel.
- Two large wheels and two swivel wheels with locks that allow stabilization in the workplace.
- Handle to hold.
- A place for chemical canisters.
- Laser marking available on request.
- Possibility of making the trolley in a different size on special order.
- Additional accessories: Satellite Clean FOAM PLUS/PLUSi, Clean FOAM One, Clean FOAM DOUBPE PLUS/PLUSi, ULTRA HYGIENIC® or proHYGIENIC Hose set and accessories of cleaning point.