



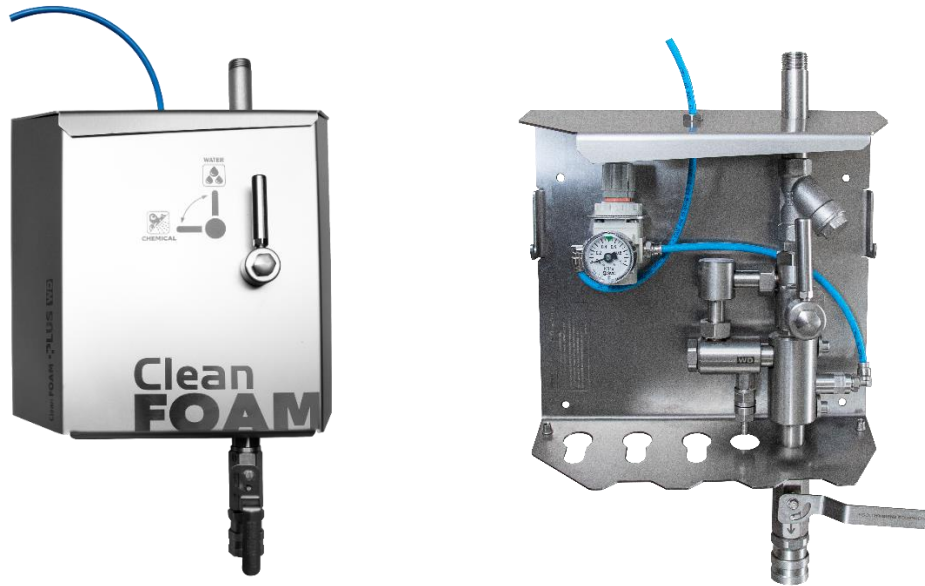
DATA SHEET

revision date
24.06.2024

product code

20.10.00.01

Satellite Clean FOAM PLUS WD

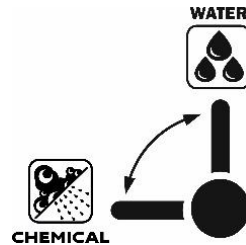


304



MATERIAL	Stainless Steel housing and connections
WEIGHT	6 kg
MAX. DIMENSIONS (WxHxD)	280 x 453 x 130 mm
MOUNTING HOLES DIAMETER AND SPACING (WxH)	ø7 mm; 235 x 190 mm
DOSING RANGE	0,3-8%
MIN. WATER FLOW FEED	30 l/min
WATER INLET	EXT 1/2"
WATER OUTLET	Female quick coupling 1/2"
WATER PRESSURE	3,5 -10 bar
AIR OUTLET	ø6 mm
MIN. AIR FLOW (FEED)	150 l/min
AIR PRESSURE FEED	2 - 6 bar
NUMBER OF PIECES IN THE PACKAGE	1
PACKAGE DIMENSIONS (WxHxD)	530 x 310 x 170 mm

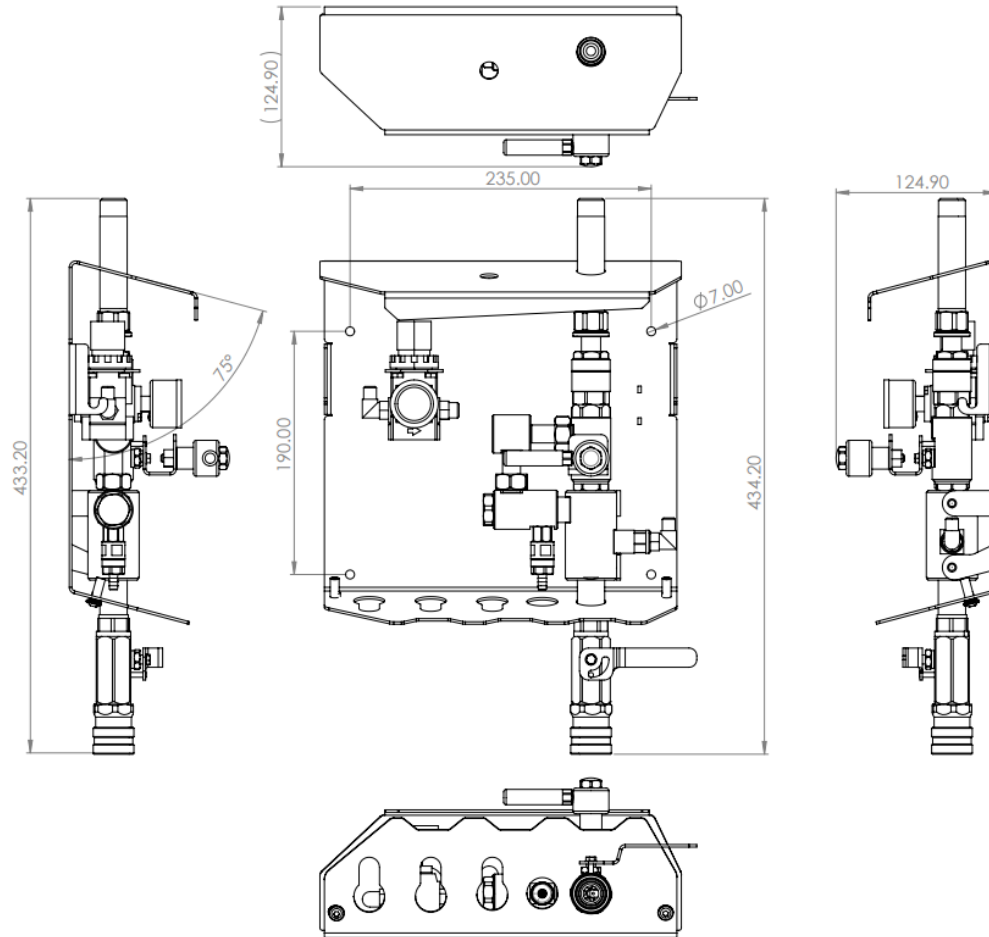
Clean **FOAM** **PLUS** **WD**



- Satellite for 1 chemical agent (foaming or disinfecting)
- It is recommended to maintain constant water pressure (min. 3.5 bar). For this purpose, you can use a hydrophore set with a regulator
- It has an air reducer equipped with a pressure gauge and liquid separator.
- Easy to use with a reliable manual control mechanism (functions: foam (for chemical agents) /water (for rinsing).
- Equipped with ULTRA HYGIENIC® stainless steel ball valve with female quick coupling.
- Chemical agent, water and air suction inlets are secured with stainless steel check valves.
- Dryer and pressure gauge protected by a stainless steel housing.
- Laser marking available on request.
- Durable, safe and hygienic stainless steel housing.
- Can be installed in narrow spaces as no need to leave any space for service on the sides of the device.
- Possibility to install the satellite on a wall or on a mobile washing point.
- Protection of service elements against unauthorized access.
- The sloping roof and the bottom of the satellite (15°) prevents accumulation of sediments.
- Easy access to the injector.
- There are 3 holes for hanging lances in the lower part of the housing. The first one from the left is designed for a lance or a suction tube that sucks chemistry from the canister. Two others are intended for rinsing or foaming lances.
- The back satellite wall has 4 mounting holes.
- The bottom of the satellite designed for hanging lances and a suction tube.



DIMENSIONS FOR Clean FOAM PLUS WD



MAINTENANCE

The housing is made of stainless steel. Its anti-corrosion properties depend on the conditions in which the steel is used and its maintenance. Stainless steel products should be cleaned, dried and maintained with products intended for this purpose. Particular attention should be paid to the regime of cleaning for products used in an environment of high salinity or humidity to prevent sediments accumulation.

REMEMBER! RINSE THE DEVICE WITH CLEAN WATER AFTER USE

The suction tube, which is used to transfer the chemical agent from the canister should be immersed in clean water and the device should be run in the FOAM position until clean water is obtained at the exit of the lance.