

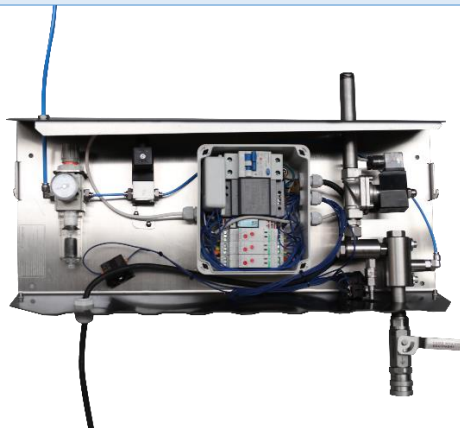
DATA SHEET

revision date
12.12.2024

product code

20.10.05.02

CleanFOAM DOORway



304



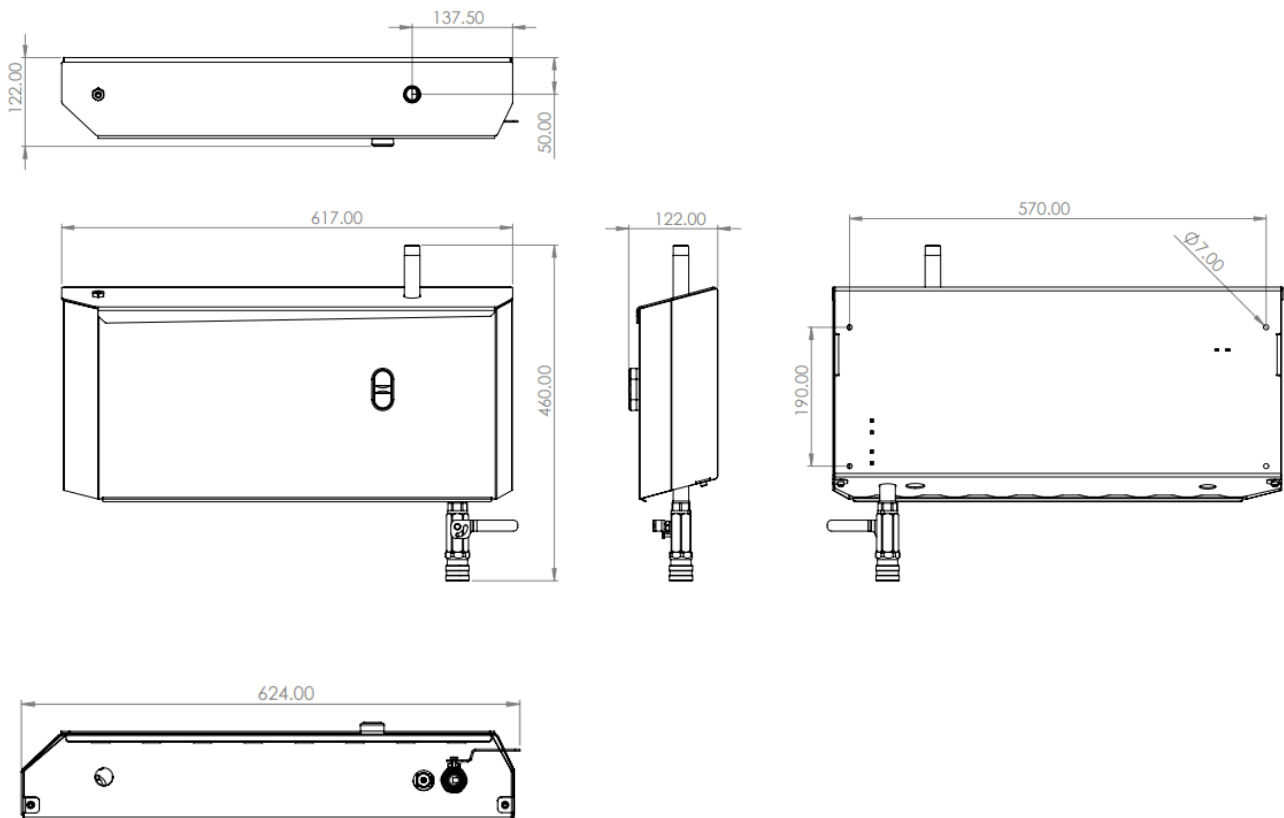
MATERIAL	Stainless Steel housing and connections
WEIGHT	12 kg
MAX. DIMENSIONS (WxHxD)	624 x 460 x 122 mm
MOUNTING HOLES DIAMETER AND SPACING (WxH)	ø7 mm; 570 x 190 mm
DOSING RANGE	0,3-8%
MIN. WATER FLOW FEED	30 l/min
WATER INLET	EXT 1/2"
WATER OUTLET	Female quick coupling 1/2"
WATER PRESSURE	18 - 25 bar
AIR OUTLET	ø6 mm
MIN. AIR FLOW (FEED)	150 l/min
AIR PRESSURE (FEED)	5 - 8 bar
NUMBER OF PIECES IN THE PACKAGE	1

Clean **FOAM** DOORway



- Flexible device suitable for disinfecting footwear and wheels;
- Disinfection takes place by walking/driving over the applied chemical agent;
- It effectively separates areas with different hygiene levels;
- Time -based programming;
- An injector dedicated to medium water pressure.

TECHNICAL DRAWINGS WITH DIMENSIONS



MAINTENANCE

The housing is made of stainless steel. Its anti-corrosion properties depend on the conditions in which the steel is used and its maintenance. Stainless steel products should be cleaned, dried and maintained with products intended for this purpose. Particular attention should be paid to the regime of cleaning for products used in an environment of high salinity or humidity to prevent sediments accumulation.