

## DATA SHEET

revision date  
23.12.2022

product code

**03.05.01.XX**

### TWISTED FITTINGS FOR CSM ULTRA HYGIENIC® HOSES



EXTERNAL THREAD

INTERNAL THREAD



MATERIAL

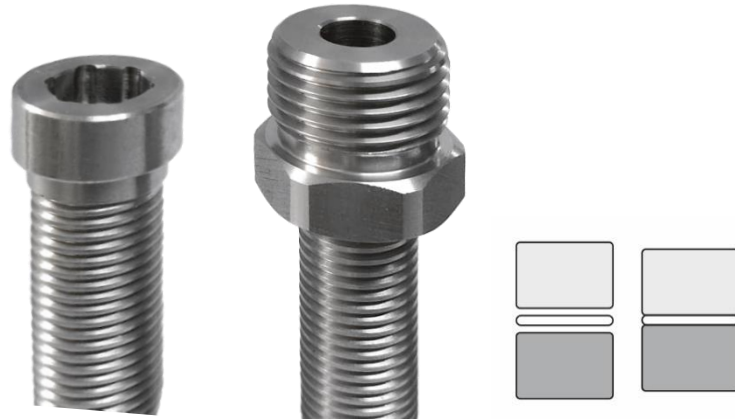
Stainless Steel

MAX PRESSURE

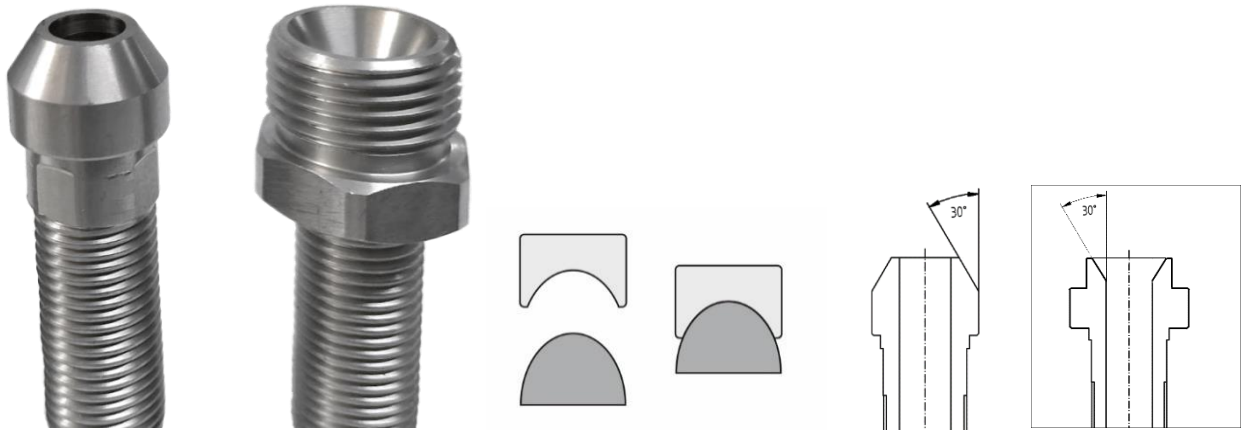
400 bar max

PRODUCT CODE	NAME/VERSION	THREAD	WEIGHT	NUMBER OF PIECES IN THE PACKAGE
03.05.01.01	TWISTED FITTING EXT THREAD ½"	EXT ½" FLAT	140 g	1 pc (foil)
03.05.01.06	TWISTED FITTING EXT THREAD ½"	EXT ½" CONICAL	136 g	1 pc (foil)
03.05.01.02	TWISTED FITTING INT THREAD ½"	EXT ½" FLAT	167 g	1 pc (foil)
03.05.01.05	TWISTED FITTING INT THREAD ½"	INT ½" CONICAL	177 g	1 pc (foil)
03.05.01.10	TWISTED FITTING WITH MALE QUICK COUPLING ½"	MALE QUICK COUPLING ½"	137 g	1 pc (foil)

## SEALINGS



FLAT SEALING – INT AND EXT THREAD

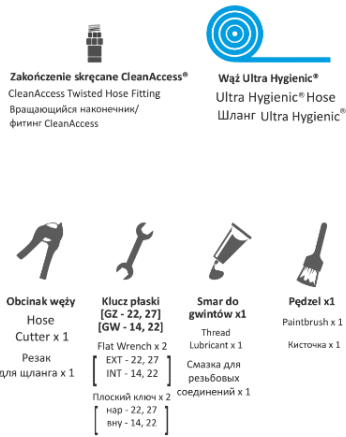


CONICAL SEALING – INT AND EXT THREAD

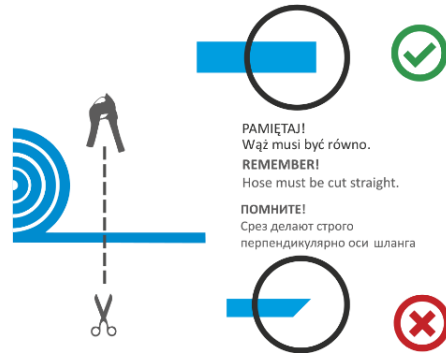
- Reusable products intended for self-assembly or service with ULTRA HYGIENIC® Hoses.
- Flat sealing with teflon seal does not require the use of glue, teflon tape, etc.
- It is recommended to use thread glue, which is available from CA offer for additional protection of self-loosening of the thread.
- Teflon seals are available in CA offer as a separate product.
- The twist fitting is dedicated to CSM ULTRA HYGIENIC® Hoses.
- Assembly instruction for twisted hose fitting is available.

## ASSEMBLY INSTRUCTION FOR TWISTED HOSE FITTING

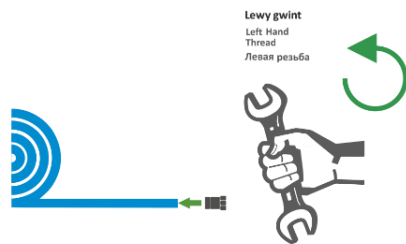
1.



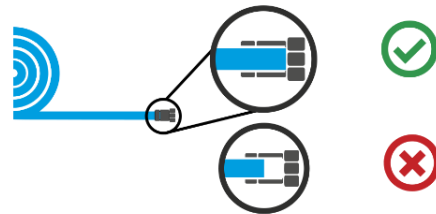
2.



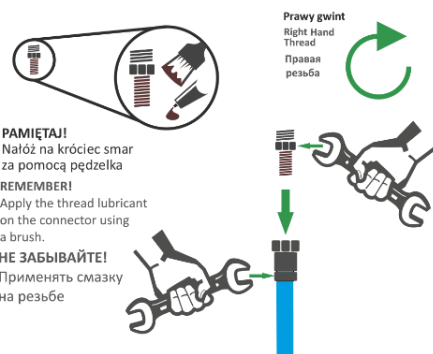
3.



4.



5.



6.

