

DATA SHEET

revision date
20.02.2023

product code

03.05.02.XX

LOW PRESSURE HOSE TWISTED FITTINGS



EXTERNAL THREAD

INTERNAL THREAD

MALE QUICK COUPLING



304



MATERIAL

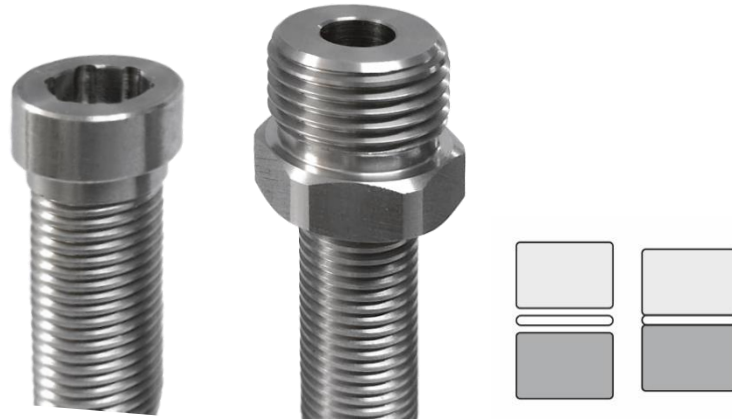
Stainless Steel

MAX PRESSURE

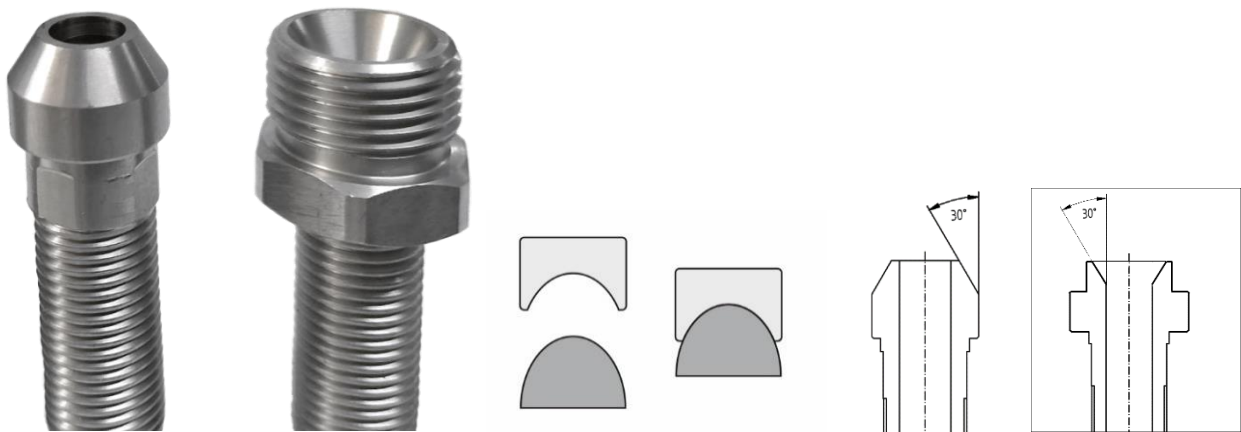
400 bar max

PRODUCT CODE	NAME/VERSION	THREAD	WEIGHT	NUMBER OF PIECES IN THE PACKAGE
03.05.02.01	Low pressure hose twisted fitting EXT thread 1/2"	EXT 1/2" FLAT	157 g	1 pc (foil)
03.05.02.06	Low pressure hose twisted fitting EXT thread 1/2" - cone sealing	EXT 1/2" CONICAL	153 g	1 pc (foil)
03.05.02.02	Low pressure hose twisted fitting INT thread 1/2"	EXT 1/2" FLAT	185 g	1 pc (foil)
03.05.02.05	Low pressure hose twisted fitting INT thread 1/2" - cone sealing	INT 1/2" CONICAL	194 g	1 pc (foil)
03.05.02.10	Low pressure hose twisted fitting 1/2" with male quick coupling	MALE QUICK COUPLING 1/2"	155 g	1 pc (foil)

SEALINGS



FLAT SEALING – INT AND EXT THREAD




CONICAL SEALING – INT AND EXT THREAD

SEALINGS

- Reusable products intended for self-assembly or service with ULTRA HYGIENIC® Hoses.
- Flat sealing with teflon seal does not require the use of glue, teflon tape, etc.
- It is recommended to use thread glue, which is available from CA offer for additional protection of self-loosening of the thread.
- Teflon seals are available in CA offer as a separate product.
- The twist fitting is dedicated to HYGIENIC 1/2" hose.
- Assembly instruction for twisted hose fitting is available.

ASSEMBLY INSTRUCTION FOR TWISTED HOSE FITTING

1.


Zakończenie skręcane CleanAccess®
 CleanAccess Twisted Hose Fitting
 Вращающийся наконечник/
 фитинг CleanAccess


Wąż Ultra Hygienic®
 Ultra Hygienic® Hose
 Шланг Ultra Hygienic®

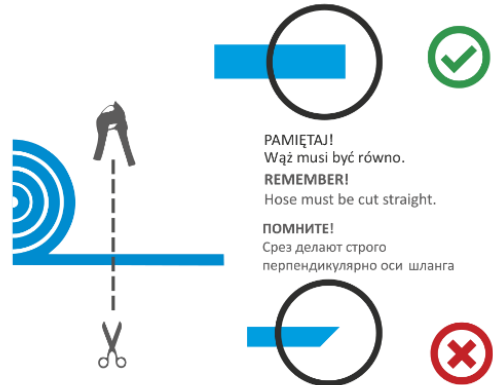

Obcinak wężu
 Hose
 Cutter x 1
 Резак
 для шланга x 1


Klucz płaski
 [GZ - 22, 27]
 [GW - 14, 22]
 Flat Wrench x 2
 [EKT - 22, 27]
 [INT - 14, 22]
 Плоский ключ x 2
 [нар - 22, 27]
 [вну - 14, 22]

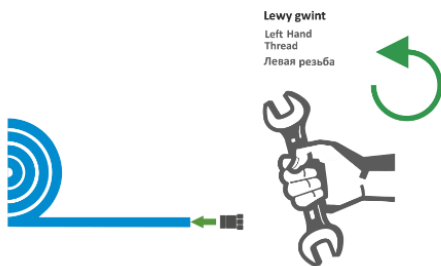

Smar do gwintów x1
 Thread
 Lubricant x 1
 Смазка для
 резьбовых
 соединений x 1


Pędzel x1
 Paintbrush x 1
 Кисточка x 1

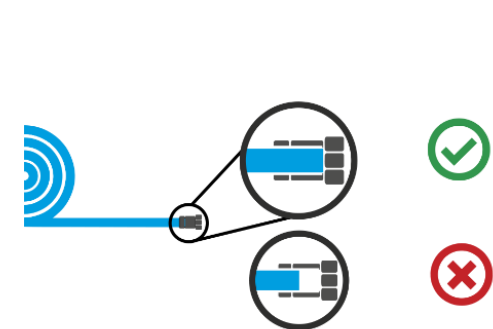
2.



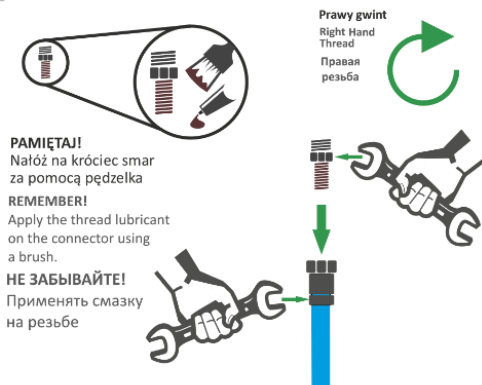
3.



4.



5.



6.

