

DATA SHEET

revision date
23.12.2022

product code

03.06.XX.XX

CRIMPED HOSE FITTINGS ZAKOŃCZENIA ZACISKANE



EXTERNAL THREAD

INTERNAL THREAD



MATERIAL

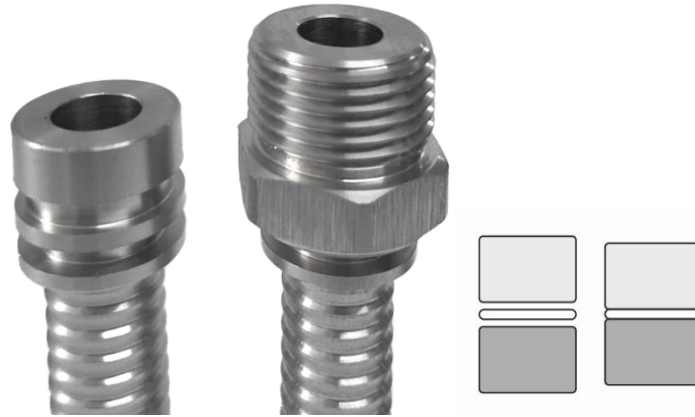
Stainless Steel

MAX PRESSURE

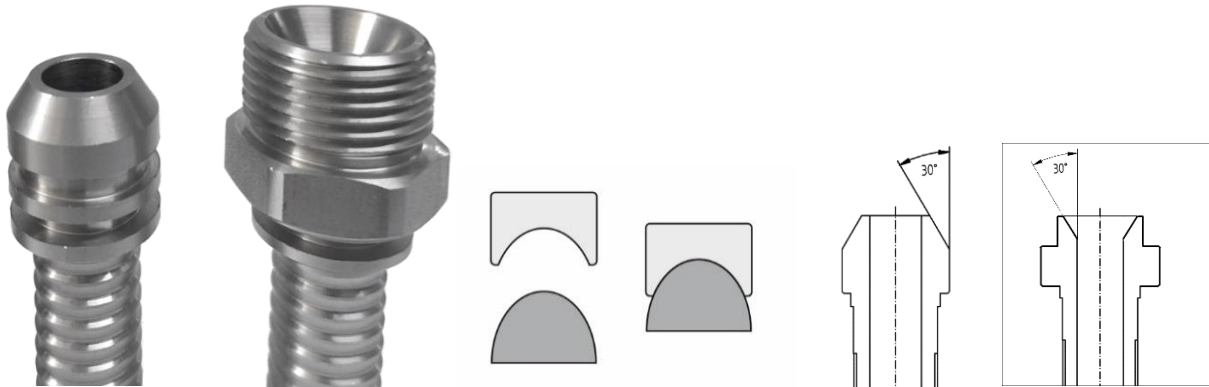
400 bar max

PRODUCT CODE	NAME/VERSION	THREAD	WEIGHT	NUMBER OF PIECES IN THE PACKAGE
03.06.01.01	CRIMPED HOSE FITTING EXT THREAD 1/2"	EXT 1/2" FLAT	111 g	1 pc (foil)
03.06.01.06	CRIMPED HOSE FITTING EXT THREAD 1/2"	EXT 1/2" CONICAL	108 g	1 pc (folia)
03.06.01.02	CRIMPED HOSE FITTING INT THREAD 1/2"	INT 1/2" FLAT	124 g	1 pc (foil)
03.06.01.05	CRIMPED HOSE FITTING INT THREAD 1/2"	INT 1/2" CONICAL	116 g	1 pc (foil)
03.06.01.10	CRIMPED HOSE FITTING WITH MALE QUICK COUPLING 1/2"	MALE QUICK COUPLING 1/2"	93 g	1 pc (foil)
03.06.03.01	CRIMPED HOSE FITTING EXT THREAD 3/4"	EXT 3/4" FLAT	106 g	1 pc (foil)
03.06.03.02	CRIMPED HOSE FITTING INT THREAD 3/4"	INT 3/4" FLAT	164 g	1 pc (foil)

SEALINGS



FLAT SEALING – INT AND EXT THREAD



CONICAL SEALING – INT AND EXT THREAD

- A crimper is needed for crimping. Crimping parameters are available on request.
- Hoses from Suppliers other than CleanAccess should be crimped after adjusting the crimping parameters for a given hose in accordance with the guidelines from Suppliers.
- Flat sealing with teflon seal does not require the use of glue, teflon tape, etc.
- It is recommended to use thread glue, which is available from CA offer for additional protection of self-loosening of the thread.
- Teflon seals are available in CA offer as a separate product.
- The crimp fitting is dedicated to ULTRA HYGIENIC® ½", HYGIENIC ½" and ¾".