

## DATA SHEET

revision date  
**23.08.2022**

product code

**05.01.20.12**

### Automatic Hose Reel for 20m ½" Hose



304



#### MATERIAL

AISI 304- sides and roll  
AISI 303- shaft and swivel joint  
Carbon steel spring

#### WEIGHT

16,4 kg

#### PRODUCT DIMENSIONS (W x H x D)

570 x 430 x 220 mm (fully opened)

#### MOUNTING HOLES SPACING (W x H)

180 x 205 mm

#### THREAD INLET/OUTLET

½" EXT / ½" INT

#### MAX. PRESSURE LIMITED BY CONNECTION ELEMENTS

200 bar  
Nie dotyczy parametrów węża

#### MAX. WORKING TEMPERATURE

140°C (for a short period of time only)

#### REEL FOR HOSE

20 m, ½"

#### NUMBER OF PIECES IN THE PACKAGE

1

#### PACKAGE DIMENSIONS (W x H x D)

280 x 600 x 550 mm

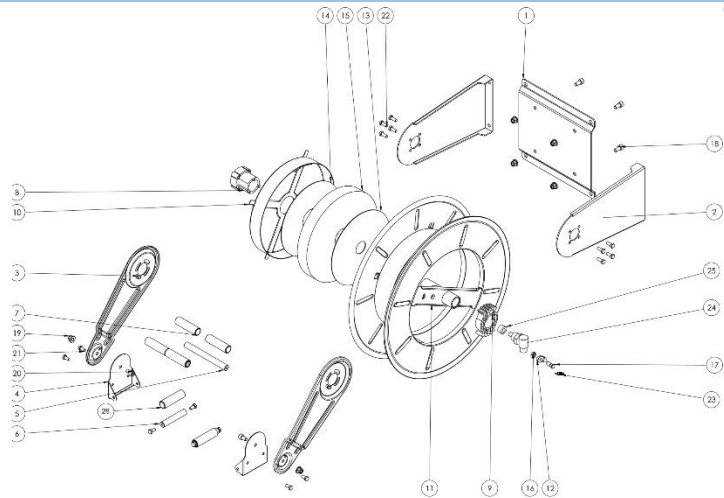
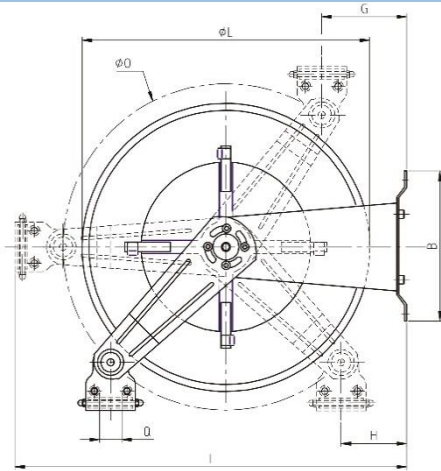
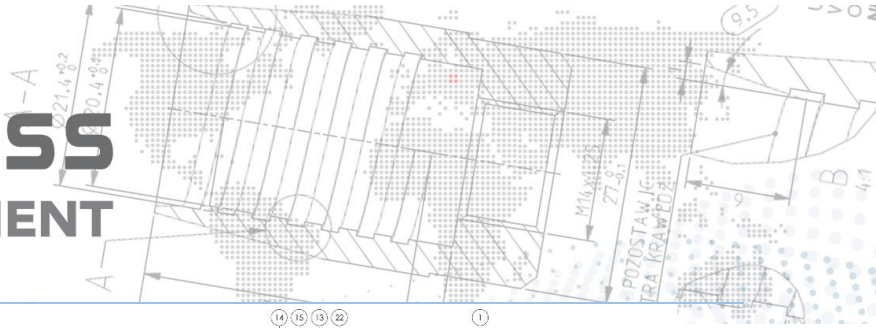
#### NUMBER OF PIECES ON THE PALLET

20



## MAINTENANCE

Hose reel is made of stainless steel. Its anti-corrosion properties depend on the conditions in which the steel is used and its maintenance. Stainless steel products should be cleaned, dried and maintained with products intended for this purpose. Particular attention should be paid to the regime of cleaning products used in an environment of high salinity or humidity.



- Automatic hose reel
- Facilitates the use of the hose and its protection against damage
- Wound up on the reel hose eliminates trip
- Adjustable angle of the hose reel arm
- Laser marking available on request
- Hygienic design
- Solid and durable construction

## ACCESSORIES

### Service parts available in the set:

- nipple
- hose bumper

### Most popular service parts available on request:

- spring
- wall swivel bracket
- angled swivel joint
- hose reel mounting plate

Other accessories may also be available on request.