

DATA SHEET

revision date
23.08.2022

product code

05.01.20.34

Automatic Hose Reel for 20m ¾" HOSE



304

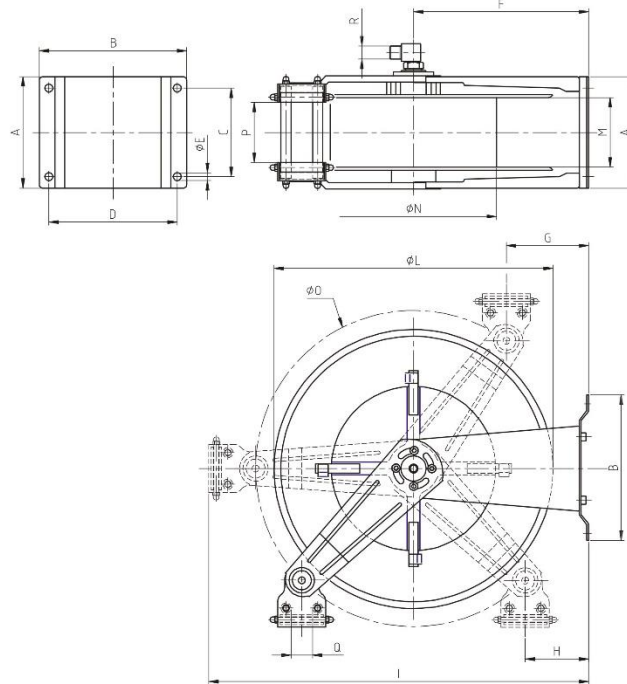


MATERIAL	AISI 304- sides and roll AISI 303- shaft and swivel joint Carbon steel spring
WEIGHT	29 kg
MAX. DIMENSIONS (W x H x D)	340 x 580 x 700 mm (fully opened)
MOUNTING HOLES SPACING (W x H)	280 x 264 mm
THREAD INLET/OUTLET	EXT ¾" / INT ¾"
MAX. PRESSURE LIMITED BY CONNECTION ELEMENTS	100 bar Does not apply to hose parameters
MAX. WORKING TEMPERATURE	100°C (for a short period of time only)
REEL FOR HOSE	20 m, ¾"
NUMBER OF PIECES IN THE PACKAGE	1
PACKAGE DIMENSIONS (W x H x D)	340 x 610 x 660 mm
NUMBER OF PIECES ON THE PALLET	10



MAINTENANCE

Hose reel is made of stainless steel. Its anti-corrosion properties depend on the conditions in which the steel is used and its maintenance. Stainless steel products should be cleaned, dried and maintained with products intended for this purpose. Particular attention should be paid to the regime of cleaning products used in an environment of high salinity or humidity.



- Automatic hose reel
- Facilitates the use of the hose and its protection against damage
- Wound up on the reel hose eliminates trip
- Adjustable angle of the hose reel arm
- Laser marking available on request
- Hygienic design
- Solid and durable construction

ACCESSORIES

Service parts available in the set:

- nipple
- hose bumper

Most popular service parts available on request:

- spring
- wall swivel bracket
- angled swivel joint
- hose reel mounting plate

Other accessories may also be available on request.