

DATA SHEET

revision date
23.08.2022

product code

05.02.25.12

Manual Hose Reel for 25m 1/2" Hose



304



MATERIAL	AISI 304- sides and roll AISI 303- shaft and swivel joint
WEIGHT	8 kg
PRODUCT DIMENSIONS (W x H x D)	241 x 485 x 425 mm
MOUNTIONG HOLES SPACING (W x H)	180 x 114 mm
THREAD INLET/OUTLET	½" EXT / ½" INT
MAX. PRESSURE LIMITED BY CONNECTION ELEMENTS	100 bar Nie dotyczy parametrów węży
MAX. WORKING TEMPERATURE	100°C (for a short period of time only)
REEL FOR HOSE	25 m, 1/2"
NUMBER OF PIECES IN THE PACKAGE	1
PACKAGE DIMENSIONS (W x H x D)	450 x 530 x 405 mm
NUMBER OF PIECES ON THE PALLET	8



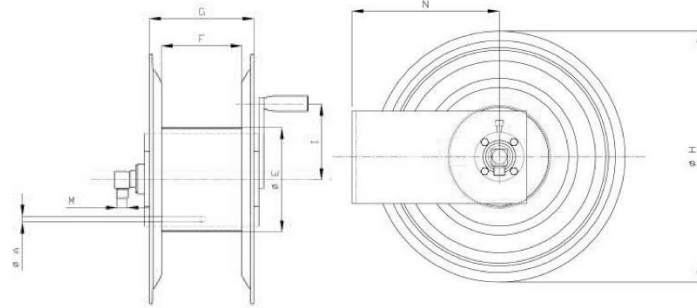
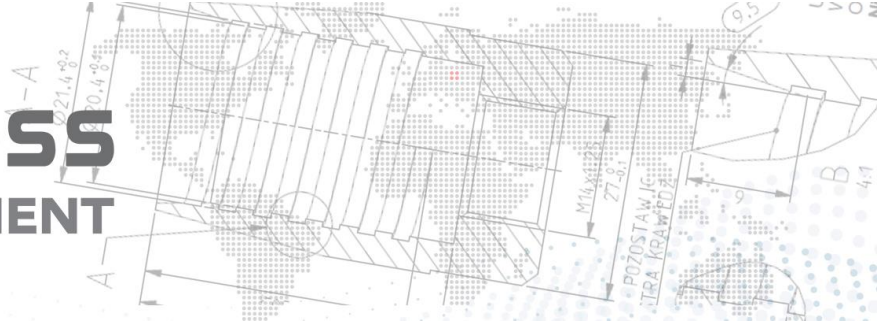
MAINTENANCE

Hose reel is made of stainless steel. Its anti-corrosion properties depend on the conditions in which the steel is used and its maintenance. Stainless steel products should be cleaned, dried and maintained with products intended for this purpose. Particular attention should be paid to the regime of cleaning products used in an environment of high salinity or humidity.



CleanAccess

FOOD HYGIENE EQUIPMENT



- Manual hose reel
- Facilitates the use of the hose and its protection against damage
- Wound up on the reel hose eliminates trip
- Laser marking available on request
- Hygienic design
- Solid and durable construction

ACCESSORIES

Service parts available in the set:

- nipple

Most popular service parts available on request:

- wall swivel bracket
- angled swivel joint
- hose reel mounting plate

Other accessories may also be available on request.