



DATA SHEET

revision date
13.03.2024

product code

20.10.04.02

Satellite Clean FOAM CENTRAL 2



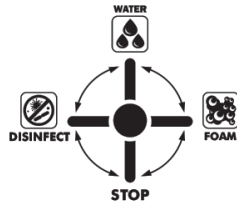
304



MATERIAL	Stainless Steel housing and connections
WEIGHT	6 kg
MAX. DIMENSIONS (WxHxD)	407 x 449 x 144 mm
MOUNTING HOLES DIAMETER AND SPACING (WxH)	ø7 mm; 360 x 190 mm
MIN. DILUTED CHEMICAL FLOW	10 l/min
DILUTED CHEMICAL PRESSURE	8-12 Bar
MIN. WATER FLOW FEED	30 l/min
WATER INLET	EXT 1/2"
DILUTED CHEMICAL INLET	EXT 1/2"
OUTLETS	Female quick coupling 1/2"
WATER PRESSURE	18-40 bar
AIR OUTLET	ø6 mm
MIN. AIR FLOW (FEED)	150 l/min
AIR PRESSURE (FEED)	5 - 8 bar
NUMBER OF PIECES IN THE PACKAGE	1

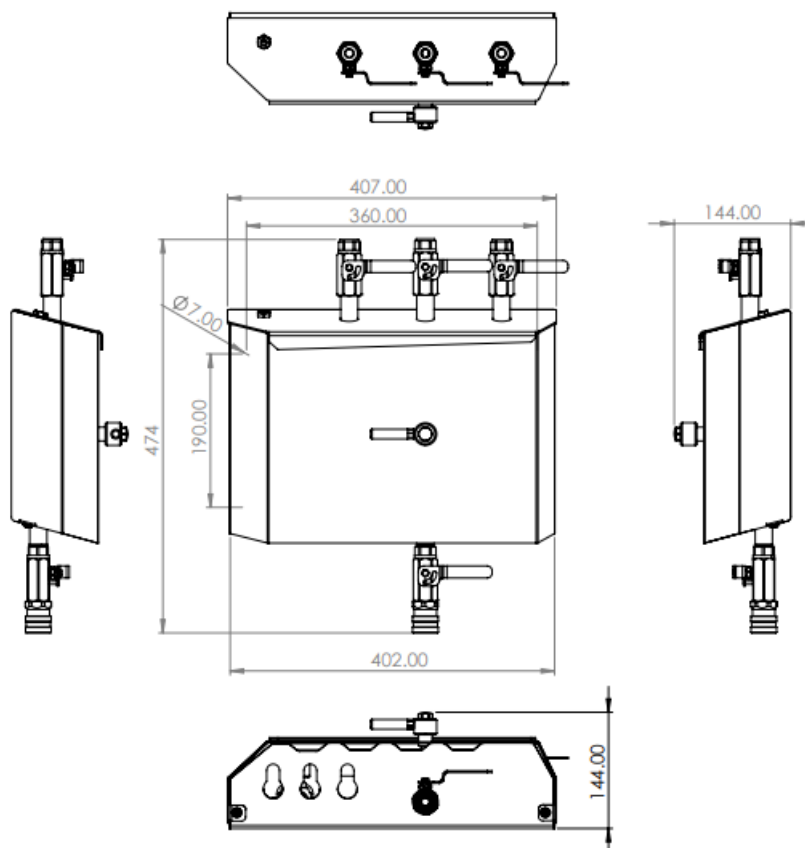


Clean **FOAM CENTRAL2**



- Can be installed in narrow spaces as no need to leave any space for service on the sides of the device.
- Satellite for 2 chemical central agent product.
- There are 3 holes for hanging lances in the lower part of the housing.
- Laser marking available on request.
- It has an air reducers equipped with a pressure gauge and liquid separator.
- Easy to use with a reliable manual control mechanism (functions: chemical agent / rinse).
- Easy access to the injector.
- Protection of service elements against unauthorized access
- Durable, safe and hygienic stainless steel housing.
- The sloping roof and the bottom of the satellite (15°) prevents accumulation of sediments.
- The back satellite wall has 4 mounting holes
- Equipped with ULTRA HYGIENIC® stainless steel ball valve with female quick coupling.
- Diluted chemical, water and air suction inlets are secured with stainless steel check valves.
- Liquid separator and pressure gauges protected by a stainless steel housing.

DIMENSIONS



MAINTENANCE

The housing is made of stainless steel. Its anti-corrosion properties depend on the conditions in which the steel is used and its maintenance. Stainless steel products should be cleaned, dried and maintained with products intended for this purpose. Particular attention should be paid to the regime of cleaning for products used in an environment of high salinity or humidity to prevent sediments accumulation.

REMEMBER! RINSE THE DEVICE WITH CLEAN WATER AFTER USE

The suction tube, which is used to transfer the chemical agent from the canister should be immersed in clean water and the device should be run in the FOAM position until clean water is obtained at the exit of the lance.